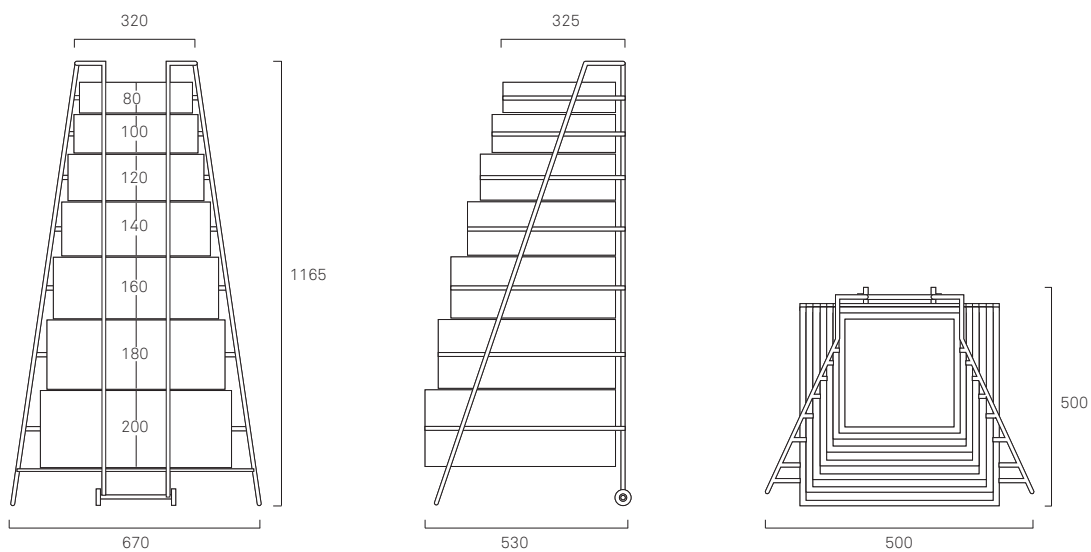


Sutoa



Design	Keiji Ashizawa
Year	2011
Typology	Storage
Collection	Signature
Origin	Denmark
Material	Black powder coated steel frame, Solid oak / walnut natural oiled drawers with dark grey laminated interior

Product	Item No.	EAN code
Oak	4030	5712828004034
Walnut	4031	5712828334032

Sutoa Assembly & Maintenance

Contents:

In this box you will find:

- 1 powder coated steel frame
- 7 stackable wooden boxes with grey laminate interior

Assembly:

Start by disassembling the front panel of the transport box, unfastening the two wooden crossbars from the frame.

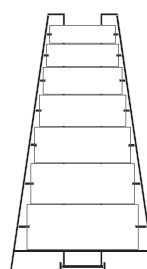
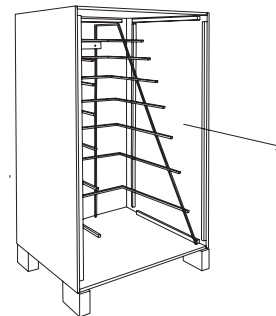
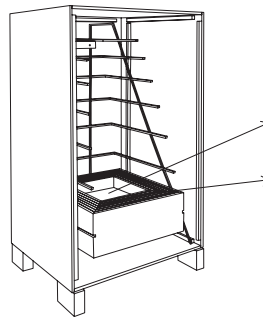
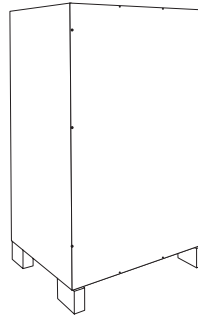
Take out the drawers one by one, starting with the smallest. Take the two biggest drawers out together.

After removing the drawers, dismount the frame and carefully remove from its box.

The steel frame is pretreated with natural beeswax to ensure smooth drawer movement. To maintain smooth draw sliding over time, repeat the treatment by adding the wax directly on the steel frame (with drawers removed) using a clean rag.

Slide each box along the side cut outs into place on the steel frame, from largest to smallest. The wheels on the back of the frame enable you to easily move Sutoa.

For regular cleaning, dust Sutoa regularly and wipe with a clean damp cloth. Follow maintenance for oiled wood according to further instructions.



FRAMA

Maintenance of Metals

Some of the metals in the Frama collection are left untreated to allow for a natural patina to develop over time. See below to keep these beautiful signs of aging, or polish them away. All collection pieces are for indoor use.

Cleaning & Polishing Brass & Copper:

Brass: Wash the brass with soapy water. To get rid of dirt or oil, mix a mild detergent with warm water. Dip a soft cloth into the soapy water, and wipe the piece down with the cloth. To polish brass, apply brass polish to a cloth, and rub it into the brass. Then use a clean, dry cloth while rubbing the brass to create shine.

Copper: Squeeze a lemon and sprinkle salt over the copper, and rub to remove any tarnishing. Rinse the copper, and dry with a soft, dry cloth.

Waxing Untreated Steel:

Since wax is only a coating and doesn't actually bind with steel, it must be periodically reapplied. As long as the piece is indoors, the wax will typically last at least a few years.

1. Use mineral spirits to clean the steel before application.
2. Using warm, clear wax, rub a thin layer over the steel with a soft cloth.
3. Using a clean cloth, buff out all of this dull wax with circular motions.
4. When the wax has been sufficiently buffed, the dullness will be gone, replaced with a slight shine. The finished wax should feel smooth and slippery to the touch.

Cleaning Powder coated Steel/Aluminum:

To clean powder coated furniture, carefully remove any loose deposits with a wet sponge. Use a soft brush (non abrasive) or cloth, and a mild household detergent solution to remove dust, salt and other deposits. Rinse off with clean fresh water. Then use a clean, soft cloth to dry the piece.

Cleaning & Maintenance of Oiled Wood Furniture

Regular maintenance of oiled wooden furniture is both easy and efficient for long term use. To achieve an optimal result we recommend oiling your product twice a year. We recommend a natural wood oil. All collection pieces are for indoor use.

Cleaning:

Daily cleaning is done with a soft cloth wrung out in clean water. Avoid using cleaners containing any type of chemicals on the furniture.

Oiling Treatment:

1. Clean the furniture using a clean cloth dampened with warm water.
2. Once the furniture is dry, apply oil to a clean soft cloth or sponge - do not pour the oil directly on the wood
3. Rub the oil into the wood in the direction of the grain, treating the entire surface of the furniture piece.
4. Let the oil soak for about two hours, then remove any excess oil with a soft clean dry cloth.
5. Rub the surface with a clean soft cloth until a uniform surface is obtained, then let dry.

Note:

End grain (edges), should be treated extra frequently to avoid dryness and cracking in the dry season (winter). Irregular distribution of moisture in the wood can cause unnecessary cracks and gap. To avoid this we recommend oiling both the top and underside of the furniture. Be aware that oily rags can ignite spontaneously. Rags and papers used in the oiling process will be flammable. Air dry after use.